



## Better solutions for a Led Wall Pack Light

**IP65 water-proof**  
**IK10**

**Easy Installation**

**Operating Temp.:** -20°C ~+50°C

**AC 100-277V 50/60Hz**

**>110Lm/w**

**Storage Temp.:** -40°C~+80°C

### Options

**Color**  
**6500K**

### Outdoor LED Wall Pack Lighting with Light Sensor

Start within 50 LUX  
 Close above 150LUX

### Application

**3 years warranty**  
**>50.000 hours of useful life**

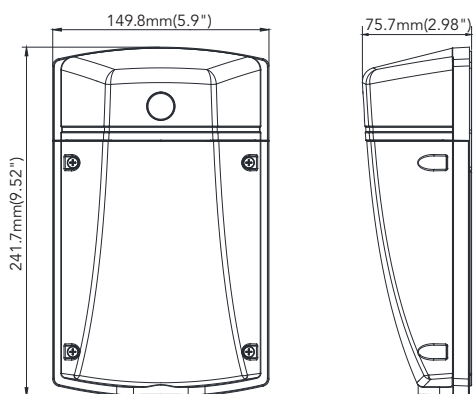
LED Wall Pack Light series can be widely used as Exterior or interior LED lighting for Hotels, Garages, Commercial Buildings, Public areas, Schools and Hospitals, etc.



## Specifications

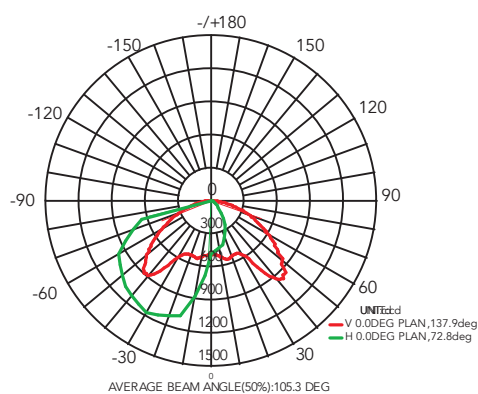
Item	Power	Lumen	Leds	CRI	Weight	Beam Angle
MHLZ20B	20W	2200Lm	LUMILEDS 3030	>80	1.2KG	120°
MHLZ30B	30W	3300Lm	LUMILEDS 3030	>80	1.2KG	120°

## Dimensions (mm)

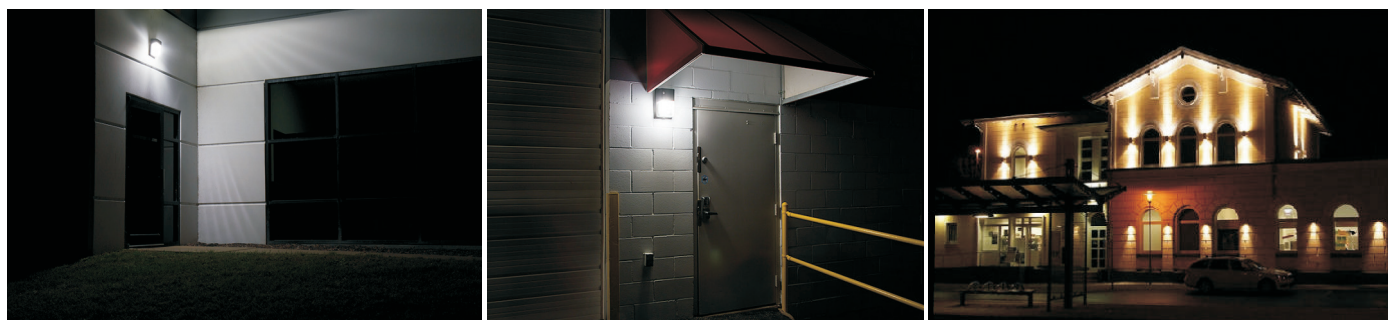


20W/30W

## Photometry

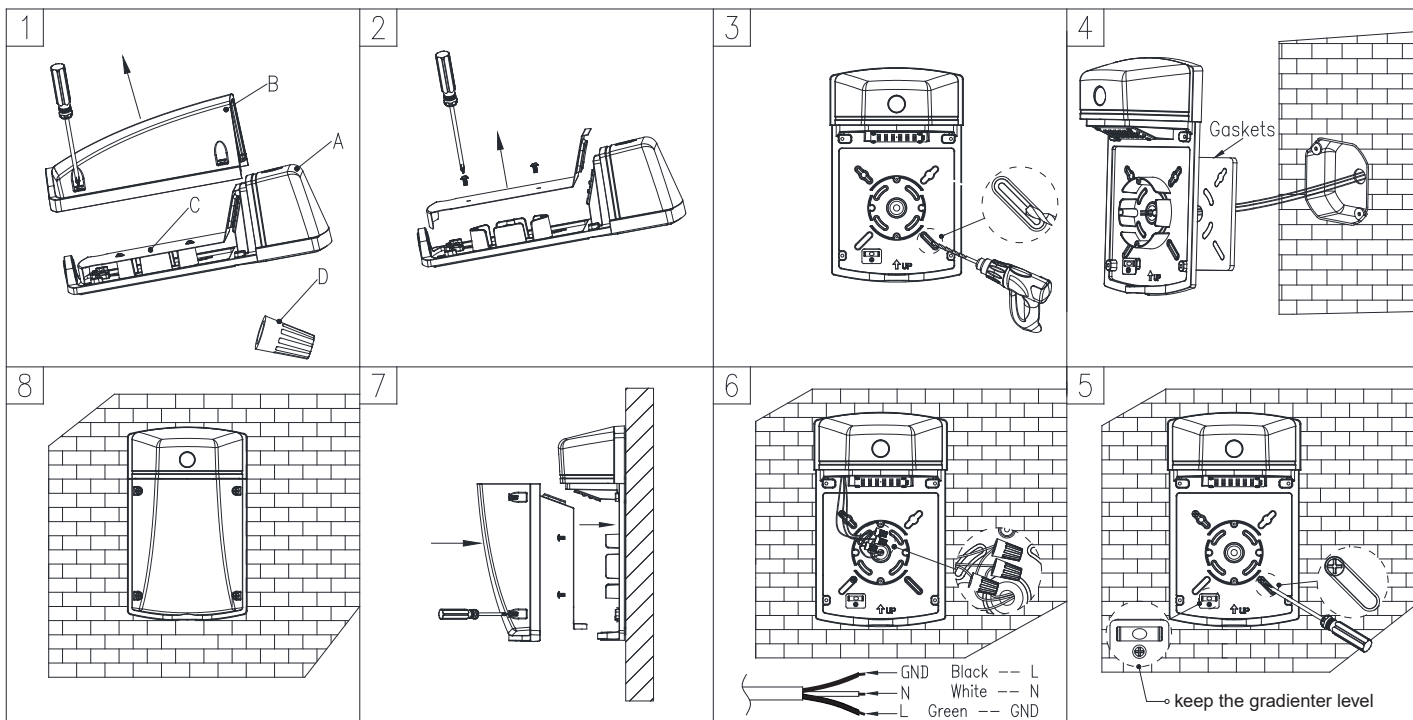


120°

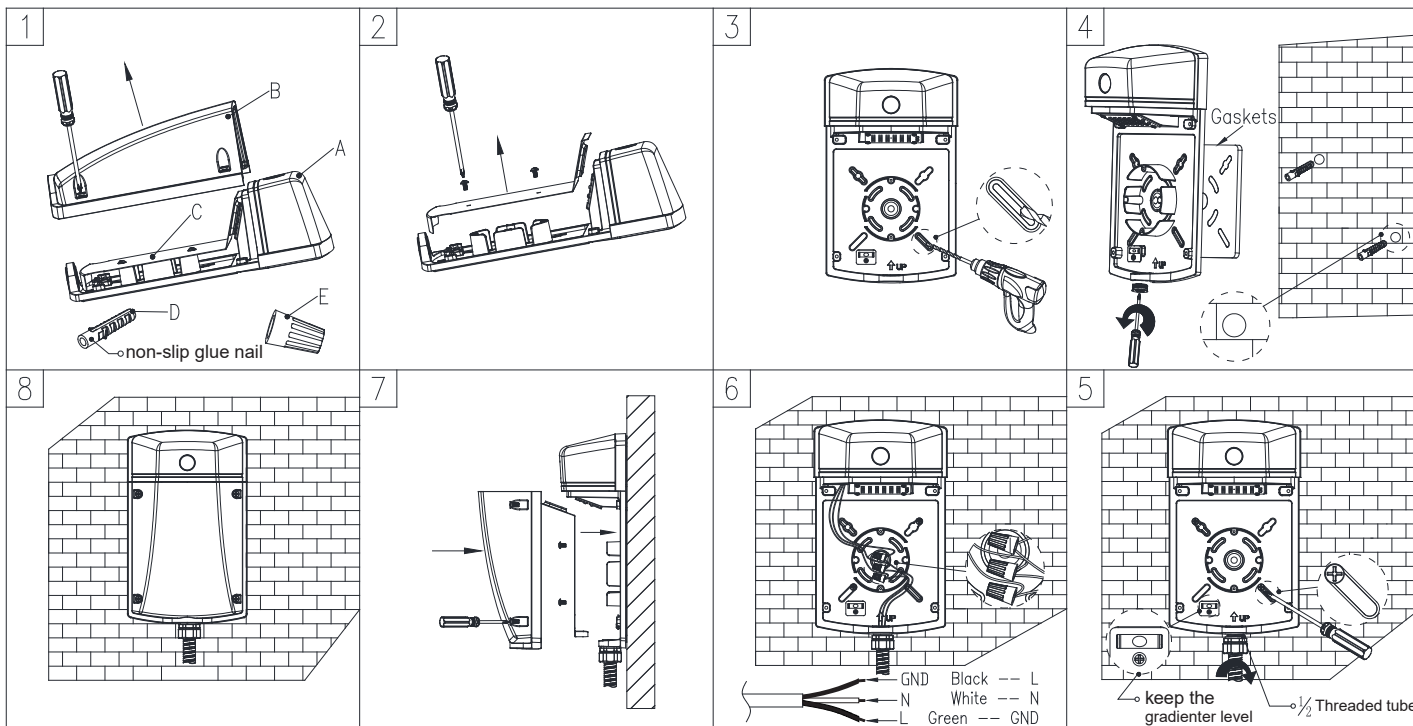


## Installation and use

### P1 Mounting with J-box



### P2 Mounting with a 1/2" conduit at the bottom



## Packing Spec

Item	Box			Carton		
	Measurement(mm)	Gross weight	Pcs/box	Measurement(mm)	Gross weight	Pcs/box
MHLZ20B-30B	L255*W160*H100	1.67kg	1	L340*W280*H435	11.42kg	8